

AMNOTEC ®
INTERNATIONAL MEDICAL



ACCESSORIES
FOR OR-TABLES

WWW.AMNOTEC.DE

About AMNOTECH

The concept "Medical Technology from Tuttlingen" stands for Surgical and Medical-engineering Instruments of highest quality as well as for dynamic and progress. Located at the global center for Medical Technology in Tuttlingen, AMNOTECH International Medical GmbH with more than 30 years' experience is one of the ambitious medical device manufacturers and suppliers.

The entire product portfolio includes more than 20 000 medical products in the area of Surgical Instruments and Container Systems, Endoscopy (Units, Scopes, Laparoscopy, Urology, Hysteroscopy, Arthroscopy), Electro-Surgery, Operating Lights and Tables as well as ICU Beds. An important element of AMNOTECH range of services is the development and production of state-of-the-art technologies, such as 4K-Visualization Systems, LED Light Sources, 3-Shaft Endoscopes as well as Electro-Surgery Units and Instruments for the Minimal Invasive Surgery (MIS).

AMNOTECH has established itself as a full-service provider for the Operating Room. The well-founded specialist knowledge of the entire AMNOTECH team in addition to the quality of the products, flexibility and an excellent customer service are the cornerstones of the company.

The catalogue remains the property of AMNOTECH International Medical GmbH. This also applies if a lending fee or nominal charge has been paid for this catalogue. It may only be used for the purpose of purchasing and selling the AMNOTECH products described therein by the specialized trade authorized in this regard, or for supplying the needs of the respective user. The use of the catalogue against our interests entitles us to demand that the catalogue be returned immediately, as well as other possible actions. This catalogue may not be copied in part or in whole, be digitally scanned or printed from a scan without our express, written consent.

Patterns are subject to change

© AMNOTECH International Medical GmbH 2020. All rights reserved.

Product group		Chapter	Page
	Basic Equipment	82	4-19
	Orthopaedy, Traumatology	82	20-34
	Gynaecology, Urology, Proctology	82	35-39
	Neurosurgery, Laryngology, Ophthalmology	82	40-43
	Mattresses	82	44-45

Key

A rectangle giving the name of an operating table means that the equipment may be used with that AMNOTABLE

- COMPACT**
- PREMIUM**
- COMFORT**

COMPACT

PREMIUM

COMFORT

82-100-00**ARM SUPPORT**

to support the arm of a patient in the lying position. Supplied with a polyurethane mattress. Structure made of stainless steel and allows the support to rotate around its vertical axis. Dimensions: 25 x 160 x 500 mm.



COMPACT

PREMIUM

COMFORT

82-100-02**ARM SUPPORT**

to support the arm of a patient in the lying position. Supplied with a polyurethane mattress, covered with artificial leather. Structure made of stainless steel, and allows the support to rotate around its vertical axis. Dimensions: 40 x 200 x 600 mm.



COMPACT

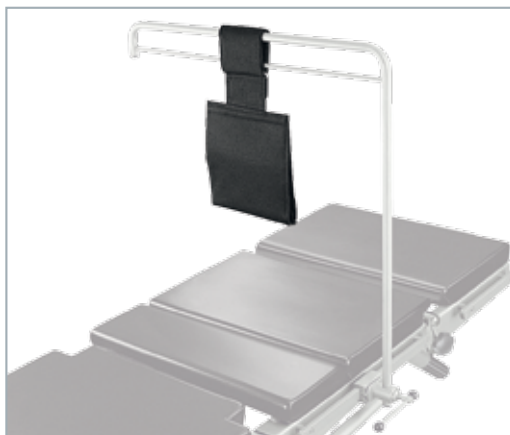
PREMIUM

COMFORT

82-100-04**ATTACHMENT FOR SIDE RAIL**

an element fastened to the side rails on the right or left side of the backrest of the operating table. The element is intended to lengthen the back rest rail for the side by the patient's head.





COMPACT

PREMIUM

COMFORT

82-100-06
HAND HOLDER

to stabilize the patient's hand above their chest while they lie on their back.



COMPACT

PREMIUM

COMFORT

82-100-08
ANGLE SUPPORT

to support the arm of a patient in the lying position. Supplied with a polyurethane mattress covered with artificial leather. The stainless steel structure enables the support to rotate around its vertical axis, the mattress to be set at an angle and also the support distance from and height above the table top to be changed.
Dimensions: 60 x 250 x 380 mm.



COMPACT

PREMIUM

COMFORT

82-100-10
ANGLE SUPPORT

to support the arm of a patient in the lying position. Supplied with a polyurethane mattress. The stainless steel structure enables the support to rotate around its vertical axis, the mattress to be set at an angle and also the support distance from and height above the table top to be changed.
Dimensions: 25 x 160 x 380 mm.

COMPACT

PREMIUM

COMFORT

82-100-12**SIDE SHOULDER SUPPORT**

to support the patient in the lateral position for the side by the back or shoulder. Includes a rectangular polyurethane mattress, formed in a kidney shape. Includes a bearing part made of stainless steel, in a matt finish, allowing the adjustment of height and distance from the patient.

Dimensions: 24 x 70 x 152 mm.



COMPACT

PREMIUM

COMFORT

82-100-14**SIDE SUPPORT WITH LEVER**

to stabilize the patient in the lying position, from the side by the patient. Includes a mattress of dimensions: 40 x 100 x 200 mm and a bearing part made of stainless steel, in a matt finish, which allows the adjustment of height and distance from the patient, locked with a handle.



COMPACT

PREMIUM

COMFORT

82-100-16**RIGHT AND LEFT SHOULDER SUPPORT**

to stabilise the patient in the lying position, on the sides of the shoulders, particularly in the Trendelenburg position. Includes a polyurethane, rectangular mattress formed in a kidney shape. Also includes a bearing part made of stainless steel allowing adjustment of height and distance from the patient.

Dimensions: 24 x 70 x 152 mm.





COMPACT

PREMIUM

COMFORT

82-100-18**SIDE SUPPORT**

to stabilise the patient in the lateral position. Includes a polyurethane, rectangular mattress, formed in a kidney shape. Also includes a bearing part made of stainless steel allowing adjustment of height and distance from the patient.

Dimensions: 24 x 70 x 152 mm.



COMPACT

PREMIUM

COMFORT

82-100-20**CHEST SUPPORT**

to support the patient in the lateral position, on the side of their chest. Includes a rectangular mattress. Also includes a bearing part made of stainless steel, allowing adjustment of height and distance from the patient.

Dimensions: 40 x 100 x 200 mm.



COMPACT

PREMIUM

COMFORT

82-100-22**PUBIC SUPPORT**

to support the patient in the lateral position, on the side of their abdomen. Includes an oval mattress. Also includes a bearing part made of stainless steel, allowing adjustment of height and distance from the patient. The mattress for pubic support has a ball joint enabling precise fitting to the body of the patient.

Dimensions: 35 x 150 x 170 mm.

COMPACT

PREMIUM

COMFORT

82-100-24**SUPPORT FOR SHOULDER OPERATIONS**

to support the arm of a patient in the lying position during a shoulder operation. The construction of the attachment enables taking X-ray pictures. Consists of a polyurethane mattress upholstered with artificial leather, with a bearing part made of stainless steel, in a matt finish, bolted to the table side rail.

Dimensions: 290 x 200 x 40 mm.



COMPACT

PREMIUM

COMFORT

82-100-26**LARGE SIDE SUPPORT**

to support the patient in the side position, for use on either side of the patient. Includes a cylindrical mattress. Includes a bearing part made of stainless steel, allowing adjustment of height and distance from the patient.

Dimensions: ø 80 x 300 mm.



COMPACT

PREMIUM

COMFORT

82-100-28**INSTRUMENT TRAY**

to store surgical tools by the operating table. Consists of a tray and a support, allowing longitudinal and transversal adjustment. The tray is made of stainless steel, in a matt finish.

Dimensions: 20 x 325 x 530 mm





COMPACT

PREMIUM

COMFORT

82-100-30

SIDE HOLDER FOR X-RAY PICTURES

located on the side rails of the operating table and used as a plate holder while taking pictures in a horizontal arrangement.



COMPACT

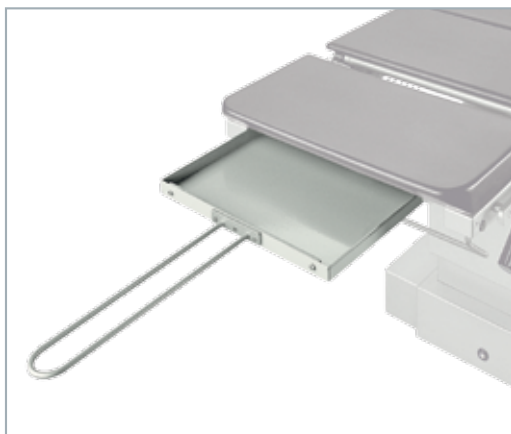
PREMIUM

82-100-32

X-RAY TRAY

used as a stand for a plate holder while taking X-ray pictures of the pelvis. Includes an aluminium tray and a formed stainless steel holder in a matt finish.

Dimensions: 383 x 450 mm.



COMPACT

PREMIUM

82-100-34

X-RAY TRAY

located under the head or back rest, installed from the side of the patient's head. Includes an aluminium tray and a straight stainless holder in a matt finish.

Dimensions: 383 x 500 mm.

COMPACT

PREMIUM

COMFORT

82-100-36 AND 82-100-37

ABDOMINAL STRAPS

to immobilise the patient's body while they are lying on the operating table. The **82-100-36** abdominal strap consists of two stainless-steel catches fastened to the side rails on both sides of the operating table, and two straps (width: 100 mm) with Velcro tapes. The **82-100-37** abdominal strap is a band (width: 40 mm) fastened to the side rails and connected by Velcro tapes.



COMPACT

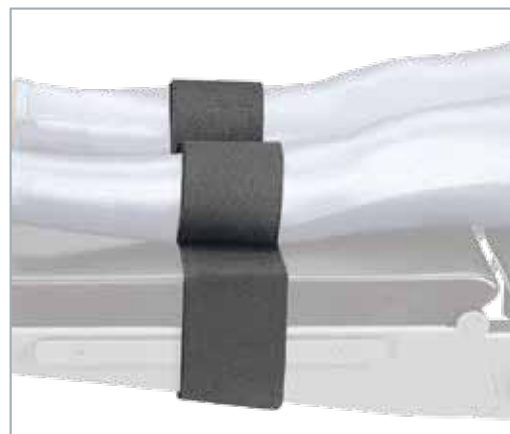
PREMIUM

COMFORT

82-100-38

LEG STRAP

consists of two straps (width: 100 mm), one of which supports the leg while the second is wrapped around the leg rest.



COMPACT

PREMIUM

COMFORT

82-100-40

LEG STRAP

to immobilize the patient's legs on the operating table. Includes a stainless catch fastened to the side rails of the table with a strap (width: 100 mm).





COMPACT

PREMIUM

COMFORT

82-100-42

WRISTLET

to immobilize the wrists. Fastened to the side rail of the table, with the possibility of longitudinal adjustment and adjustment of the clamp. Width of strap: 100 mm.



COMPACT

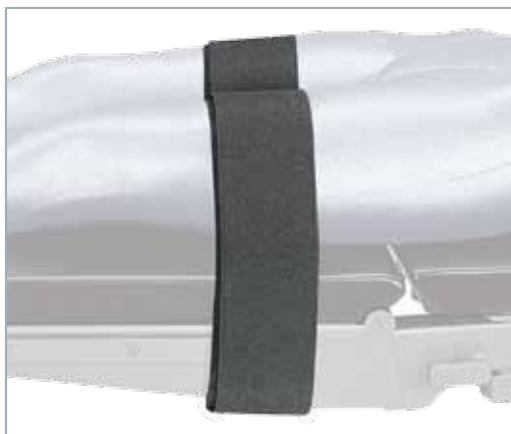
PREMIUM

COMFORT

82-100-44

THIGH HOLDER

to immobilize the thigh of the patient on the operating table. Includes a stainless catch fastened to the side rail of the table and a strap (width: 100 mm).



COMPACT

PREMIUM

COMFORT

82-100-46

THIGH HOLDER

consists of two straps (width: 100 mm), one of which supports the leg while the second is wrapped around the leg rest.

COMPACT

PREMIUM

COMFORT

82-100-48**ANAESTHETIC FRAME**

gives the possibility of height and width adjustment as well as rotation around the vertical axis. The frame is made of stainless steel, in a matt finish.



COMPACT

PREMIUM

82-100-50**ATTACHMENT FOR SHOULDER SURGERY**

to conduct examinations and surgeries of both shoulders from the back.



COMPACT

PREMIUM

COMFORT

82-100-52**HOLDER FOR ANAESTHETIC TUBES**

to hold anaesthetic tubes. Includes a Plexiglas support with openings for tubes, located on a stainless support, with both height and distance adjustment.





COMPACT

PREMIUM

COMFORT

82-100-54

ANAESTHETIC FRAME

gives the possibility of height adjustment and rotation around the vertical axis. The frame is made of stainless steel, in a matt finish.



COMPACT

PREMIUM

COMFORT

82-100-56

HIP SUPPORT

designed to support the loins of a patient lying in a horizontal position and facing towards the mattress. It is applied to both sides of the body and consists of wedged mattresses (dimensions: 100 x 190 x 85 mm) and a bearing part made of stainless steel in a matt finish. The supporting section of the hip support enables the adjustment of height of mattresses and the distance between them.



COMPACT

PREMIUM

82-100-58

LARGE SIDE SUPPORT

to support a patient in the lying position, it is fixed on both sides of the operation table to side rails. It includes a cylindrical mattress (dimensions: 210 x 450 mm) and a bearing part made of stainless steel to allow adjustment of height and inclination angle.

COMPACT

PREMIUM

COMFORT

82-100-60**DRIP BOTTLE HOLDER**

to suspend containers of infusion liquids. Includes a rod with a double hook, made of stainless steel.



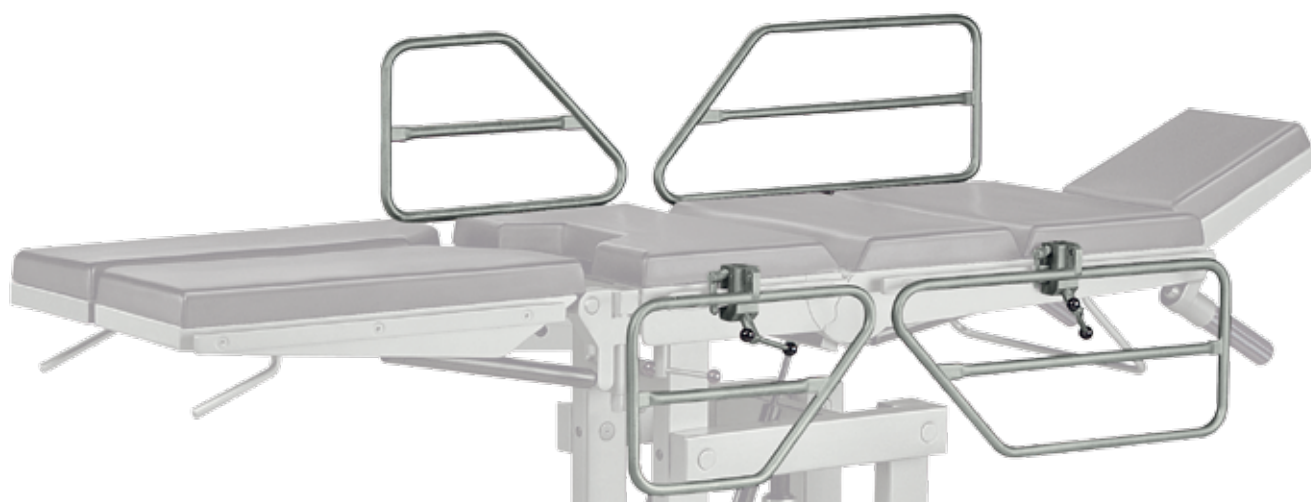
COMPACT

PREMIUM

COMFORT

82-100-62**SIDE RAILS**

protects the patient from slipping off the operating table. Comprises 4 elements fitted to the side rails of the operating table with the possibility of longitudinal movement and adjustment of both sides. Made of stainless steel.





COMPACT **PREMIUM** **COMFORT**

82-100-64

CLAMP MECHANISM

to attach various pieces of equipment to the side rails, a 16 mm circular pivot. Made of stainless steel, in a matt finish.



COMPACT **PREMIUM** **COMFORT**

82-100-66

MULTIPOSITION CLAMP MECHANISM

to attach various pieces of equipment to the table side rails, a 16 mm circular pivot. Allows the adjustment of the angle of the equipment. Made of stainless steel, in a matt finish.



COMPACT **PREMIUM** **COMFORT**

82-100-68

MULTIPOSITION CLAMP MECHANISM

to attach various pieces of equipment to the table side rails, a 16 x 16 mm square pivot. Allows the adjustment of the angle of the equipment. Made of stainless steel, in a matt finish.

PREMIUM

82-100-90

WIRE HAND CONTROLLER

can be connected to a table column at the headrest or at the footrest. Possible uses: **Height adjustment, Trendelenburg / reverse Trendelenburg, lateral tilt, "zero" positioning, and table top orientation adjustment.** The LCD screen shows information on the currently performed function, battery power level, table position, faults and malfunctions. A LED indicator to show low battery level.



PREMIUM

82-100-92

WIRELESS HAND CONTROLLER

enables control of operating table functions by IR transmission. Available functions: **Height adjustment, Trendelenburg / reverse Trendelenburg, lateral tilt, "zero" positioning, and table top orientation adjustment.** The LCD screen shows information on the currently performed function and battery power level.





PREMIUM

82-100-94 FOOT CONTROLLER

possible uses: "zero" positioning, height adjustment, lateral tilt, Trendelenburg / reverse Trendelenburg, and table top orientation switch.



PREMIUM

82-100-96 SIDE CONTROL PANEL

mounted on a table column, enabling table top height adjustment, lateral tilt, kidney bench elevation, orientation change, setting Trendelenburg / reverse Trendelenburg and "zero" positioning.



COMPACT

PREMIUM

COMFORT

82-100-99 MOBILE HANGER FOR EQUIPMENT

a trolley used for storing accessories when they are not being used during treatments and operations. Made of stainless steel.

COMPACT

PREMIUM

82-100-51**ATTACHMENT FOR SHOULDER SURGERY**

for conducting examinations and surgery of both shoulders from the back. Moving the patient from a lying position to a sitting position is achieved by gas springs, which are adjusted by a hand lever. The 3-section back rest is supplied with a mattress to secure the patient's body, while at the same time allowing easy access to the target for surgery by removal of the right or the left shoulder support. The structure is made of carbon fibre. The attachment is supplied with a specialist head rest.







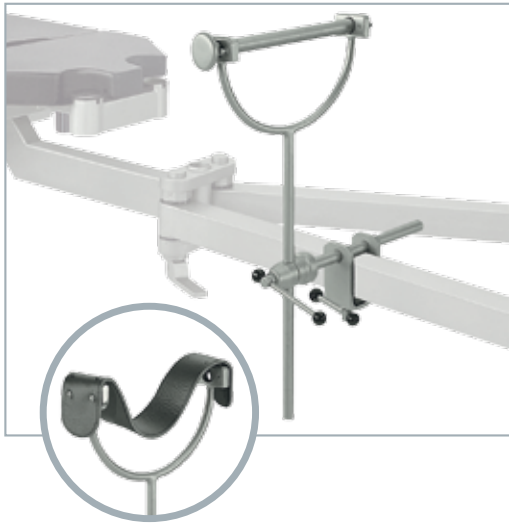
COMPACT

PREMIUM

82-120-00

ORTHOPAEDIC ATTACHMENT

Used for carrying out operations on patients with broken legs. The use of additional equipment enables specialist orthopaedic interventions. Height adjustment range of stretching mechanism: 320 mm; distance between resistance roll and stretching mechanism: 475 to 1250 mm; stretching mechanism range: 250 mm; and rotary arm adjustment angle: 180°. All metal elements are made of stainless and acid-proof steel. Changes in the length and spreading angle of the arms is possible thanks to the manually operated locking mechanisms. The attachment arm configuration ensures the possibility of monitoring the patient's legs. The triangular attachment seat is mounted in the operating table holes instead of the leg rest. The stretching mechanism and resistance roll positioning ensures efficient stretching of the legs. The stretching mechanism assures precise leg positioning and stretching during the operation. The structure of the orthopaedic attachment enables monitoring of the patient's legs with a C-arm.



82-120-02
BAR SUPPORT

designed for supporting the leg under the knee. A metal pin is used for plasterwork of the thigh or knee while a special belt is used to support the knee. The bar support consists of a semi-circular hoop, metal pin, belt and carrying element made of stainless steel. It is possible to adjust the distance between the support and the patient.



82-120-04
KNEE SUPPORT

designed to support the knee of a patient lying on their side, to be used with a 82-120-06 hip support. Supplied with a polyurethane mattress, measuring: 25 x 190 x 295 mm. The stainless steel structure enables it to be rotated around the vertical axis, the mattress to be set at an angle, and the height adjusted.



82-120-06
HIP SUPPORT

to support the patient's hip while operating on or otherwise treating a patient lying on their side. Consists of a fixed vertical roll and movable horizontal roll. The crescent-shaped horizontal roll can be rotated around the vertical axis, and can be locked in the required position. Depending on whether the patient is on their left-hand or right-hand side, the hip support can be fitted to the right or left socket of the orthopaedic attachment. By changing the socket, the horizontal roll curvature direction also changes through 180 degrees. The rolls are made of polyurethane while the carrying elements are of stainless steel. The hip support structure allows roll height adjustment through the range: 0–100 mm using a folding knob.

82-120-08

ATTACHMENT FOR KNEE OPERATION

designed for laying and stretching the leg during medical procedures and operations of the knee joint. The attachment for knee operations is installed on the 82-120-00 attachment instead of plaster cast support unit. The stretching of a limb is achieved using a stretching apparatus on the orthopaedic attachment. The design enables adjustment of the arm length to suit the limb as well as adjustment of height. The elements of the attachment are made of stainless steel.

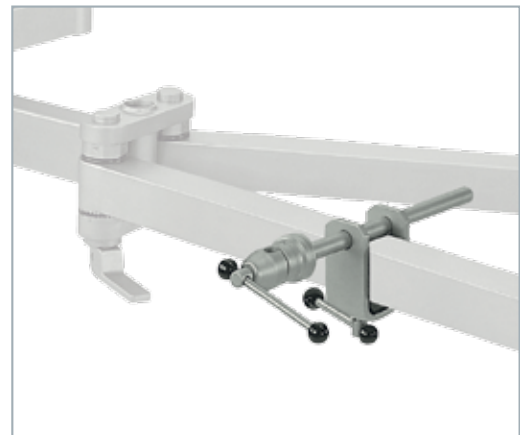


*Example picture. AMNOTEC reserves the right to make modifications to the product as a result of technical progress.

82-120-10

SUPPORT GRIP

mounted on the arm of the 82-120-00 orthopaedic attachment. The holder allows for installation of a 82-120-16 leg support or 82-120-02 bar support and their use in operations.

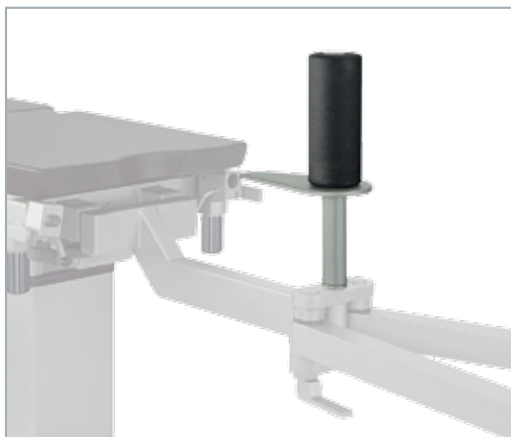


82-120-12

FOOT GRIP

the special mounts allow the fixing of the foot and stretching of the bones by means of a stretching mechanism in order to position the leg for an operation. Consists of a grip and a clamp, and is made of stainless steel. The mounts for fixing the foot consist of leather belts connected by metal collars. The foot grip is assembled on the stretching mechanism in place of the rotary foot clamp.





82-120-14
SUPPORT FOR PLASTERING

designed for supporting the patient's hip during plasterwork. Consists of a vertical support with a triangular seat mounted on it. The device has distance adjustment from the hip supporting plate in range 110 mm. The unit is made of stainless steel and is mounted in the special socket located in the attachment



82-120-16
LEG SUPPORT

to support the thigh and shank during operations. Consists of a concave mattress with the dimensions: 160 x 380 mm, and a bearing part made of stainless steel. It is possible to adjust the height and the distance between the support and the patient.



82-120-18
ARM SUPPORT

designed for the support arms of the orthopaedic attachment. The height adjustment mechanism and flexible foot enable the easy adaptation of this support to suit different table arrangements. This arm support is essential for orthopaedic attachments used with tables having a mechanical drive (AMNOTABLE COMPACT). It is also recommended for tables with an electrical drive (AMNOTABLE PREMIUM). The support is made of stainless steel, in a matt finish.

82-120-20
HEEL HOLDER

attached to the stretching mechanism adjustment plate instead of the rotary foot holder. The heel holder is designed to stretch the leg in order to position the bones or carry out some operations. The heel holder consists of a fork and a clamp. Made of stainless steel.



82-120-22
LEATHER SHOES

protect patient's feet, they can be fixed to the foot support by straps.



82-120-40
STAND FOR ORTHOPAEDIC ATTACHMENT

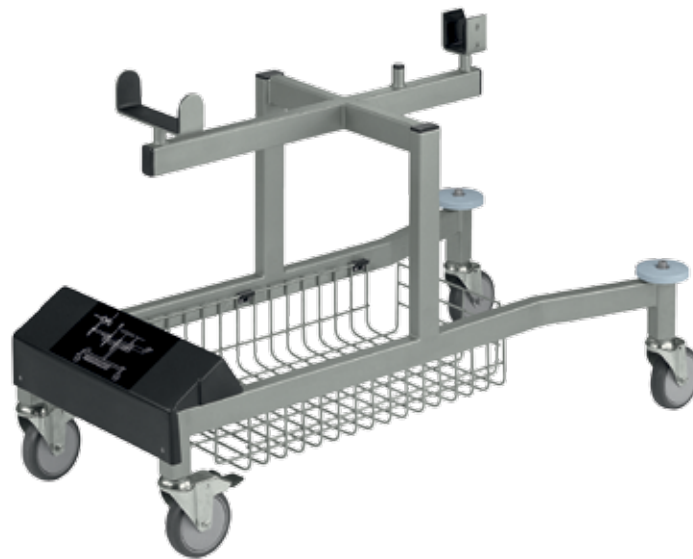
a trolley used for storing and transporting items for the orthopaedic attachment. Consists of a framework made of stainless steel, in a matt finish, and two plates supplied with hooks.



82-120-42

ORTHOPAEDIC ATTACHMENT TROLLEY

designed to hold the orthopaedic attachment. It facilitates the assembly and disassembly of the attachment. Trolley length: 1180 mm, width: 660 mm, height: 850 mm. The trolley is made of stainless steel, and is supplied with wall-fenders and a basket for some small pieces of equipment. It has 4 castors, \varnothing 125 mm, two of them with brakes.



COMPACT **PREMIUM** **COMFORT**

82-120-60
ATTACHMENT FOR THE LEG ABDUCTION

designed to support the leg. Made of stainless steel. There is the possibility of rotating the attachment around its vertical axis, angular positioning of the mattress as well as changing the mattress distance and the height to table top.



COMPACT **PREMIUM** **COMFORT**

82-120-62
HAND OPERATING TABLE

for hand surgery treatments and operations. Enables the simultaneous work of two surgeons. The structure of the attachment allows X-ray pictures to be taken, monitoring with a C-arm, changing of the height, and the possibility of setting the attachment in a non-perpendicular position in relation to the table top. Structure made of stainless steel.

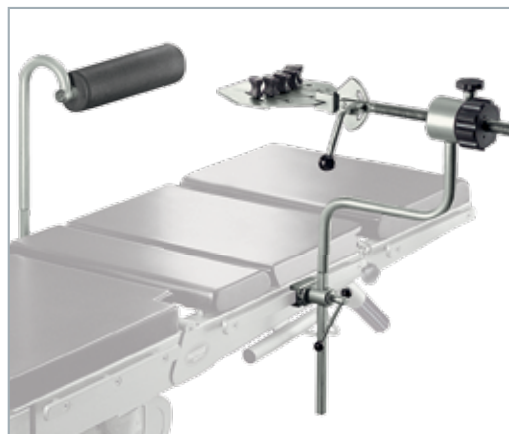
Dimensions of the mattress: 40 x 400 x 800 mm.



COMPACT **PREMIUM** **COMFORT**

82-120-64
HUMERUS POSITIONING DEVICE

to operate on the forearm of patients in the lying position. Supplied with traction and special clamps for the fingers to enable quick release or immobilization of a hand in the holder. The structure is made of stainless steel. Enables operation on a hand placed in the transversal or longitudinal position on the table top.





COMPACT

PREMIUM

COMFORT

82-120-66

ATTACHMENT FOR BACKWARD NAILING

designed to hold the hip while the patient is in a supine position (when the leg support is detached from the table). The mattress is permeable to X-rays. The distance between the attachment and the table top can be adjusted.

Mattress dimensions: 50 x 170 x 240 mm..



COMPACT

PREMIUM

COMFORT

82-120-68

ATTACHMENT FOR ARTHROSCOPIC TREATMENT

to support and immobilise the knee joint while the patient is in a lying position. Includes a cylindrical mattress. The two sets of clamps feature adjustment of distance, with a bearing part made of stainless steel that allows the adjustment of height and angle of rotation for the knee joint in relation to the table top.

Dimensions: ø 80 x 140 mm.



COMPACT

PREMIUM

COMFORT

82-120-70

ATTACHMENT FOR MENISCUS TREATMENT

to support a knee joint while the patient is in a lying position. Includes a cylindrical mattress. Includes a bearing part made of stainless steel, allowing adjustment of height and the angle of rotation for the knee joint in relation to the table top.

Dimensions: ø 80 x 300 mm.

COMPACT **PREMIUM** **COMFORT**

82-120-72
SPECIALIZED HEAD REST

to support the head of a patient in the supine, prone and lateral positions. Consists of a polyurethane mattress with the dimensions: 70 x 190 x 235 mm and a stainless steel frame. The head rest construction, thanks to its two rotatable joints, allows the adjustment of height, inclination and distance from the table top.



COMPACT **PREMIUM**

82-120-74
SPECIALIZED HEAD REST

to support the head of a patient in the supine, prone and lateral positions. Consists of a polyurethane mattress, with the dimensions: 70 x 190 x 235 mm, and a stainless steel frame. The head rest construction, thanks to its two rotatable joints, allows the adjustment of height, inclination and distance from the table top.



COMPACT **PREMIUM** **COMFORT**

82-120-76
SPECIALIZED HEAD REST

to support the head of a patient in the supine, prone and lateral positions. Consists of a horseshoe-shaped polyurethane mattress with the dimensions: 70 x 190 x 235 mm, and a stainless steel frame. The head rest construction, thanks to the two rotatable joints, allows the independent adjustment of the mattress height, inclination and tilt.





Thigh surgery. Healthy leg on the knee rest



Positioning of the patient for arm surgery



Positioning of the patient for spine surgery



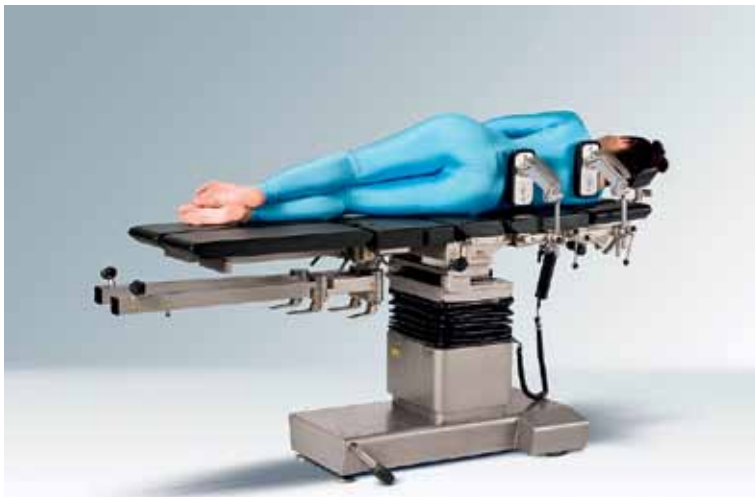
Shoulder surgery



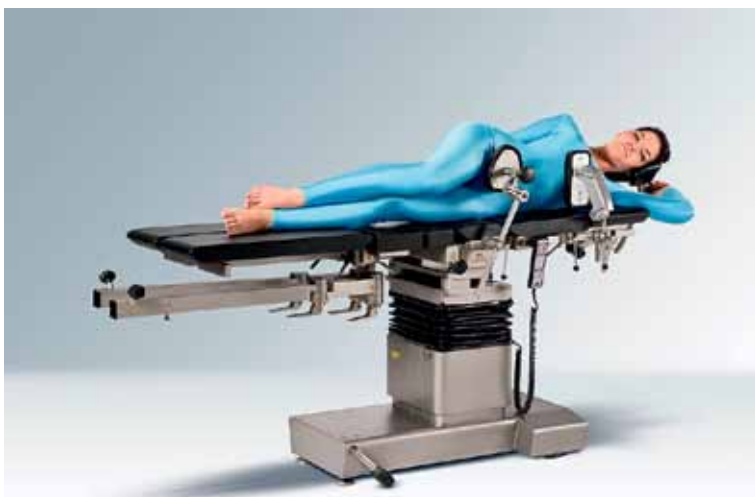
Knee surgery



Meniscus surgery



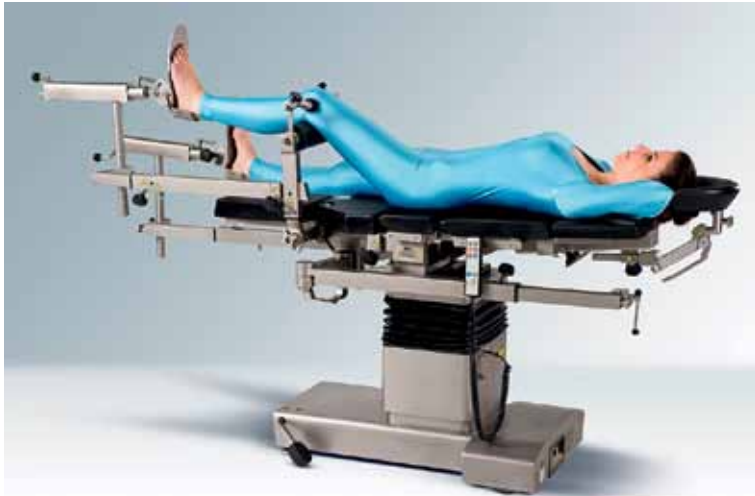
The implantation of an endoprosthesis
with the patient lying on their side



The implantation of an endoprosthesis
with the patient lying on their side



Thigh bone surgery with the patient lying on their side



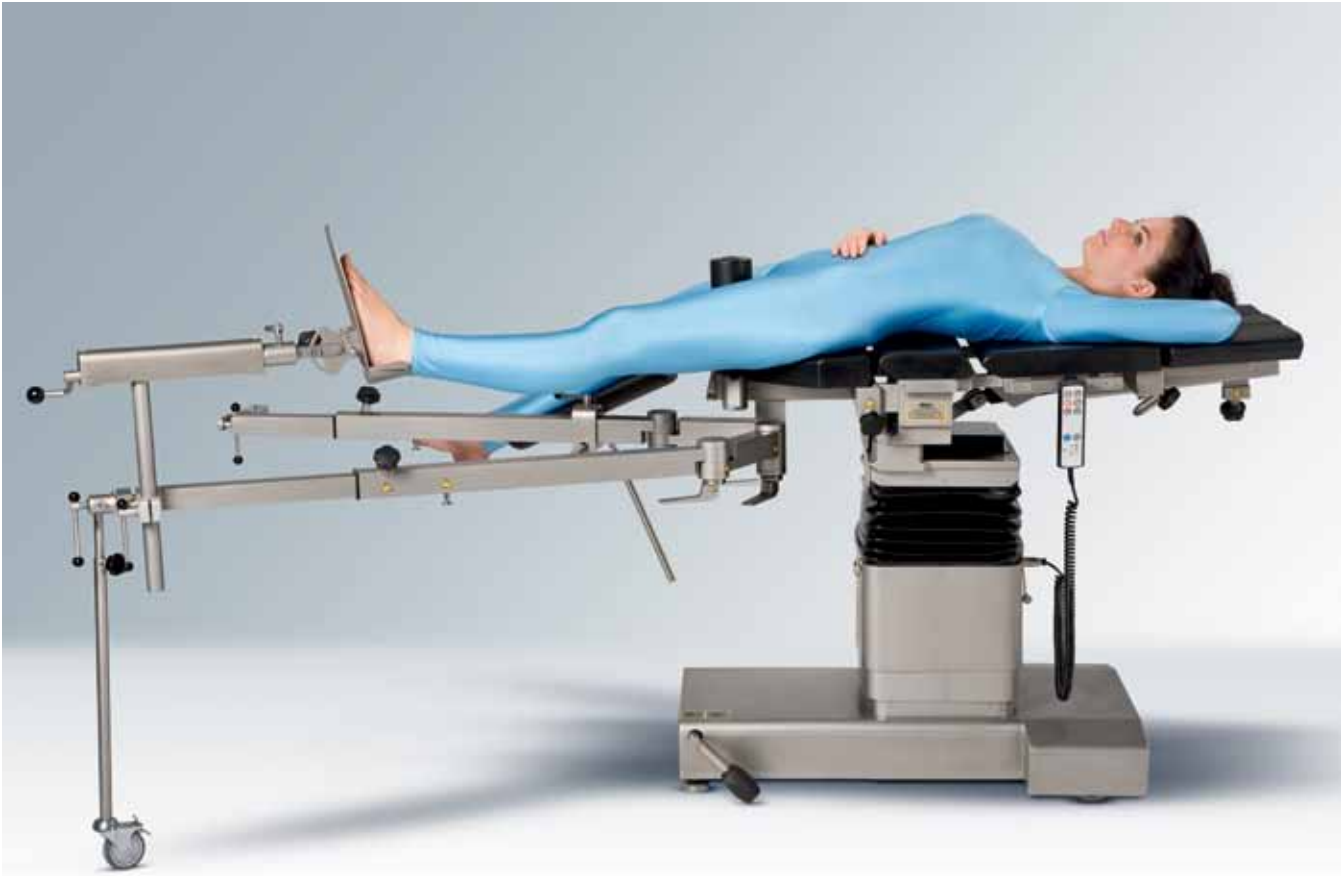
Calf surgery using a winding apparatus. Healthy foot on the leg rest



Thigh bone surgery, with the patient in a horizontal position



Hip surgery, lying position



Available functions of support arms using arm stands.



COMPACT

PREMIUM

COMFORT

82-140-00

GYNAECOLOGICAL ATTACHMENT

comprising a bowl made of stainless steel. Structure made of stainless steel, in a matt finish. The framework of the attachment enables fixing to the operating table and rotation around the vertical axis.

Dimensions: 65 x 265 x 325 mm, and capacity: 4 litres.



COMPACT

PREMIUM

COMFORT

82-140-02

UROLOGICAL ATTACHMENT

comprising a bowl made of stainless steel. Structure made of stainless steel in a matt finish. The framework of the attachment enables fixing to the operating table and rotation around the vertical axis.

Dimensions: 65 x 265 x 325 mm, and capacity: 4 litres with ø 18 mm outflow and igelit tube.



COMPACT

PREMIUM

COMFORT

82-140-06 for COMPACT & PREMIUM

82-140-07 for COMFORT

PROCTOLOGICAL ATTACHMENT

to support the patient in the knee-cubital position. Comprises two elements: abdomen rest with shaped polyurethane mattress having dimensions: ø 105 x 445 mm, and a kneeling chair supplied with a mattress having the dimensions: 45 x 290 x 500 mm. The structure, made of stainless steel, enables adjustment of the height of the kneeling chair as well as the height and inclination of the abdomen rest.





COMPACT

PREMIUM

COMFORT

82-140-08 **STRAINER**

for urology attachment 82-140-02, located inside the urology bowl. It is completely made of stainless steel.
Dimensions: 200 x 250 x 120 mm.



COMPACT

PREMIUM

COMFORT

82-140-10 **LITHOTOMIC STIRRUPS**

used for suspending the leg of a patient in the lying or sitting position. They comprise a looped belt and a support rod made of stainless steel, with the possibility of adjusting the height and rotation around the vertical and horizontal axes.

COMPACT **PREMIUM** **COMFORT**

82-140-12
BAG HOLDER

to suspend a urine bag beside the operating table. The bag holder is supplied with a lock to protect it from accidental falling out of the clamp mechanism. Made of stainless steel, in a matt finish.



COMPACT **PREMIUM** **COMFORT**

82-140-14
KNEE REST

to support the leg of a patient in the lying or sitting position. Supplied with a polyurethane mattress. The structure, made of stainless steel, enables rotation of the support around the vertical axis, setting the mattress surface in an angled position and also adjustment of the support height. Dimensions: 25 x 190 x 295 mm.



COMPACT **PREMIUM** **COMFORT**

82-140-16
KNEE REST

to support the leg of a patient in the lying or sitting position. Supplied with a polyurethane mattress. The structure, made of stainless steel in a matt finish, enables rotation of the support around the vertical axis, setting of the mattress in an angled position and also adjustment of the support height. Dimensions: 25 x 220 x 380 mm.

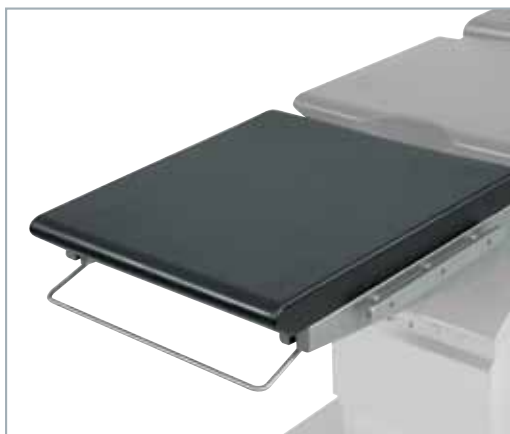




COMPACT **PREMIUM** **COMFORT**

82-140-18
GYNAECOLOGICAL ATTACHMENT STIRRUPS

equipment suitable for laparoscopy and other treatments requiring a lithotomic position, for treatments where independent leg positions are needed or it is necessary to change the leg position during the operation. The arms are assisted by gas springs. Max. patient weight: 158.0 kg
One pair (left+right) incl. Secure Release Blade Clamps (2pcs)



COMPACT **PREMIUM**

82-140-30
LEG PLATE

a light, one-piece element to support the patient's legs.



COMPACT **PREMIUM**

82-140-32
GYNAECOLOGICAL-UROLOGICAL SECTION

to extend the seat segment in the table. Consists of a polyurethane mattress. Dimensions: 500 x 330 x 50 mm, with a frame made of stainless steel, in a matt finish. It can be combined with the 82-140-00 gynaecological attachment, or urological attachment 82-140-02.

COMPACT

PREMIUM

COMFORT

82-160-00**HAND SUPPORT**

used as a support for the surgeon's forearms while working in a standing or sitting position behind the patient's head. Includes a polyurethane, half-collar shaped mattress of the dimensions: 60 x 325 x 400 mm, and a stainless steel structure, in a matt finish, allowing adjustment of the height and inclination of the forearms of the operator in relation to the head of the patient.



COMPACT

PREMIUM

82-160-02**LARYNGOLOGIC-OPHTHALMIC HEAD REST**

to support the head of a patient in the lying position. Comprises a polyurethane, horseshoe-shaped mattress with the dimensions: 70 x 190 x 235 mm, and a stainless steel structure. The framework of the head rest, thanks to the three rotatable joints, enables adjustment of the height, angle and longitudinal inclination of the mattress.



COMPACT

PREMIUM

82-160-04**LARYNGOLOGIC-OPHTHALMIC HEAD REST**

to support the head of a patient in the vertical position as well as in the abdominal position. Consists of a double-articulated arm, which can be locked by a lever, and a rotation arm, which can be locked by a handwheel. The head part of the support is made of aluminium alloy.





COMPACT

PREMIUM

82-160-06

LARYNGOLOGIC-OPHTHALMIC HEAD REST WITH TRACK ADJUSTMENT

to support the head of a patient in the prone and supine positions. Consists of two polyurethane mattresses with an adjustable width, and a stainless steel frame in a matt finish. The head rest construction, thanks to the three rotatable joints, allows the independent adjustment of the height, angle and longitudinal inclination of the mattress.



COMPACT

PREMIUM

82-160-08

ADAPTOR FOR MOUNTING SPECIALIZED HEAD REST

enables a head rest to be fitted to the table. Made entirely of stainless steel, in a matt finish. Required for fitting AMNOBASE head rest system to the table.

COMPACT

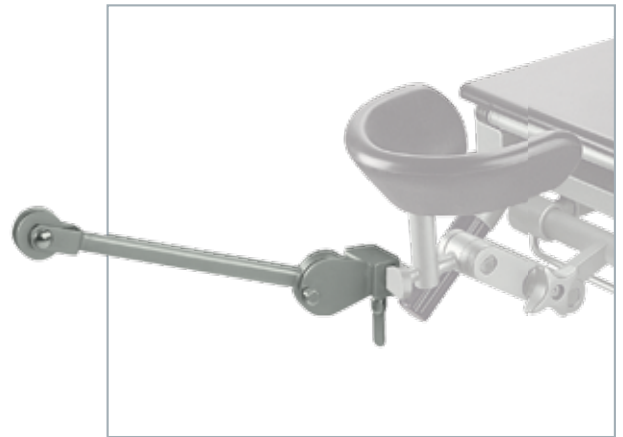
PREMIUM

COMFORT

82-160-10

ROLLER LIFT

to suspend a load to stretch the patient's cervical vertebrae.



COMPACT

PREMIUM

COMFORT

82-160-12

HEAD REST FOR CERVICAL VERTEBRAS OPERATIONS

to support the head of a patient in the lying position, either in the abdominal position or in the supine position. Consists of two polyurethane mattresses, and a stainless steel frame in a matt finish. The head rest structure allows for independent adjustment of both mattress heights and ensures extra stability.



20-200-00 C**AMNOBASE - Head Rest System**

AMNOBASE is the innovative head support system for the neurosurgical operation. The sleek, well thought-out design opens up new possibilities for a more comfortable and efficient work.

**AMNOBASE - Head Rest System**

Please ask for our Catalogue.

COMPACT

PREMIUM

COMFORT

82-180-04

MATTRESS FOR SPINAL SURGERY

to stabilize the torso of a patient lying in the prone position.
Dimensions: 100 x 460 x 840 mm.



COMPACT

PREMIUM

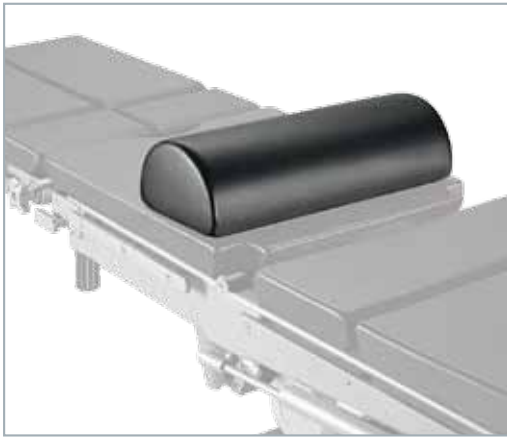
COMFORT

82-180-06

HEAD REST

made of polyurethane foam, X-ray translucent.
Dimensions: 80 x 220 x 240 mm.





COMPACT

PREMIUM

COMFORT

82-180-08
HALF-ROLL

made of polyurethane foam, X-ray translucent.
Dimensions: 120 x 180 x 500 mm.



COMPACT

PREMIUM

COMFORT

82-180-10
ROLL UNDER NECK

made of polyurethane foam, X-ray translucent.
Dimensions: 160 x 80 x 420 mm.

More than 20.000 articles - in a worldwide distribution

SURGERY



General Surgery



Micro Instruments



Dental Instruments



Container Systems



High Frequency Surgery

ENDOSCOPY



Endoscopic Units



Endoscopes



Laparoscopy



Urology



Hysteroscopy



Arthroscopy

OR-EQUIPMENT



OR-Lights



OR-Tables



Accessories for OR-Tables



ICU Hospital Beds



Head Rest System



AMNOTECH International Medical GmbH
take-off GewerbePark 11
78579 Neuhausen ob Eck | Germany

☎ +49 (0) 7467 42297-0
✉ info@amnotec.de
🌐 www.amnotec.de

WWW.AMNOTECH.DE